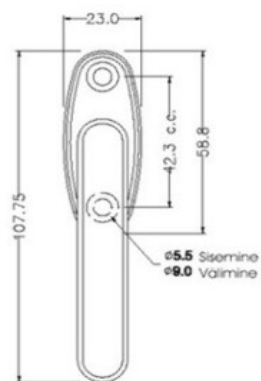
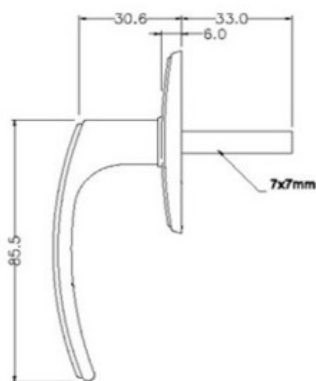
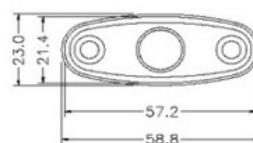
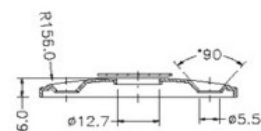
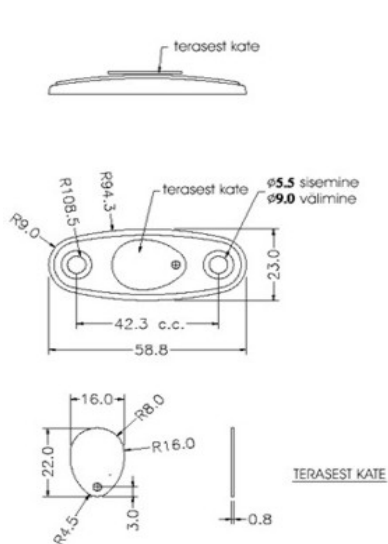


STANDARD AKNASULUSED

Aknalink kilbiga MIRA 1020 CR (VA, ME, HME, MCR, ANT)



Aknakilp kattega ovaalne MIRA 1022 CR (VA, ME, HME, MCR, ANT)



CR-kroom, VA-valge, ME-messing, HME-mattmessing, MCR-mattkroom, ANT-antiik